

Микродиммер MD-3A 12/24V для PDS



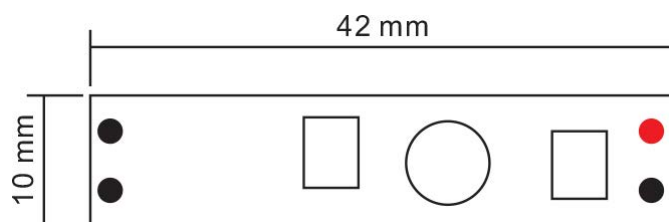
FEATURE

- MD-3A is mini touch sensor dimmer&switch, well matched LED aluminum profiles to use.
- To work with our various dimmer to form different kinds of dimmer
- Low cost and high stability

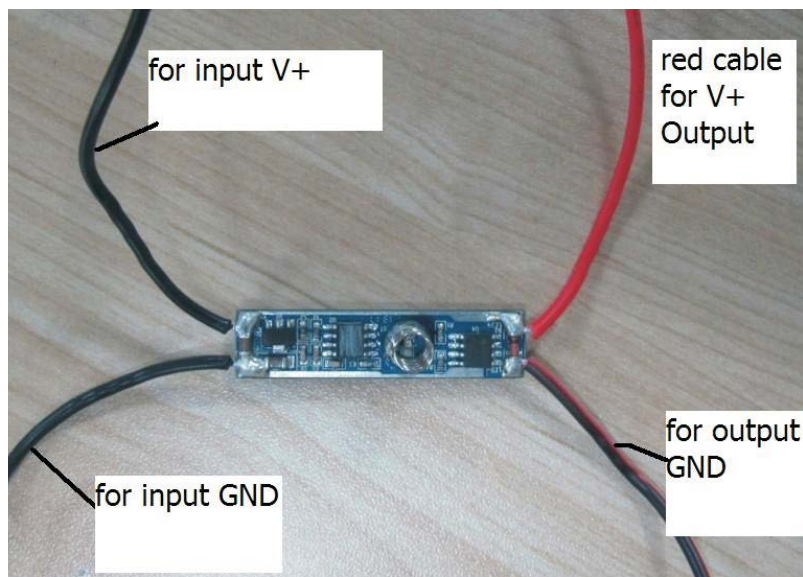
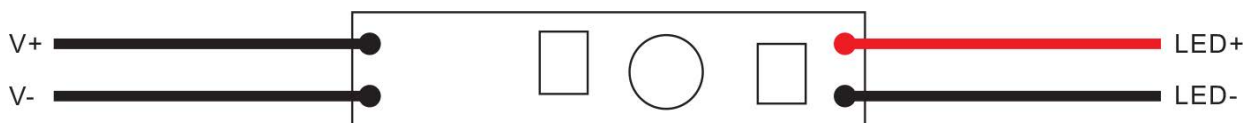
PARAMETER

Part No.	Iuput Voltage	Current	Output	Remarks
MD-3A	12-24VDC	1x3A	1x(36-72)W	Constant voltage

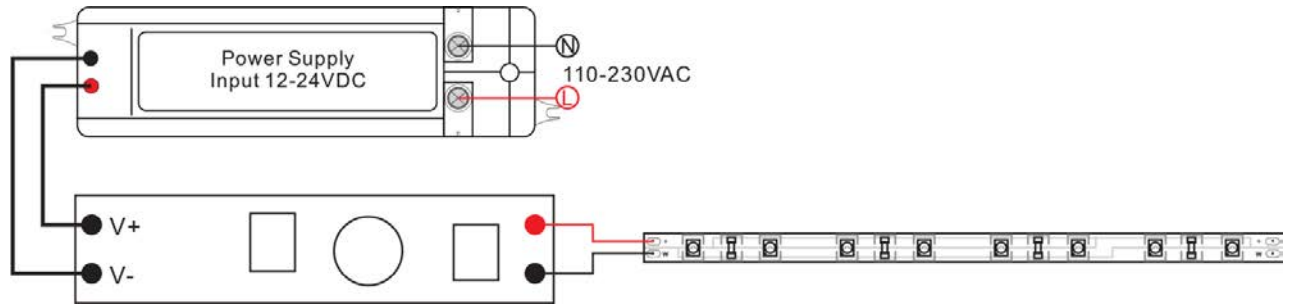
PRODUCT SIZE






BRIEF INTRODUCTION OF BUTTONS



BRIEF INTRODUCTION OF BUTTONS



OPERATION

- Short press  on/off
- Long press  dim up, long press  again dim down

SAFETY & WARNINGS

1. The product shall be installed and serviced by a qualified person.
2. IP20. Please avoid the sun and rain. When installed outdoors, please ensure it is mounted in a water proof enclosure.
3. Always be sure to mount this unit in an area with proper ventilation to avoid overheating.
4. Please check if the output voltage of any LED power supplies used comply with the working voltage of the product.
5. Never connect any cables while power is on and always assure correct connections to avoid short circuits before switching on.
6. Please ensure that the cable is secured tightly in the connector
7. For update information please consult your supplier.